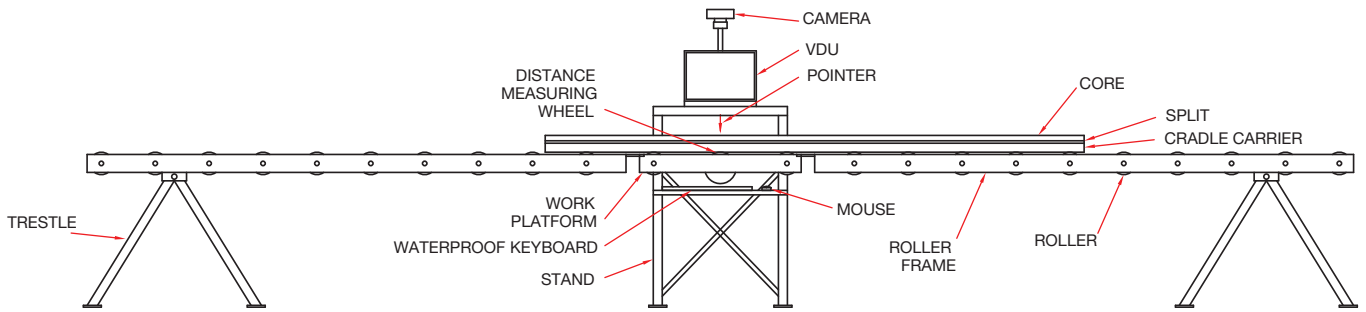


CORE LOGGING SYSTEM

The Sigra Core Logging System is designed to speed the process of creating accurate core logs.

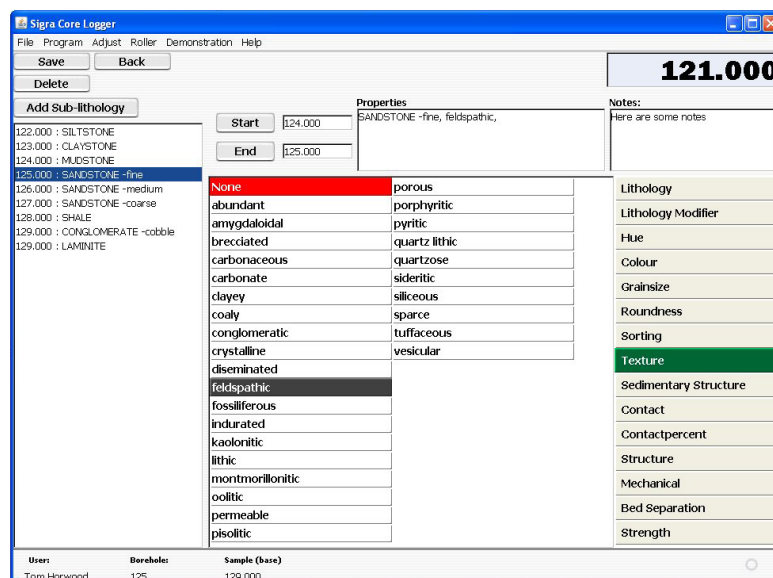


Core Logging Roller Table

The system is designed to handle HQ core. The core is pulled and the split holding the core is either used directly or the core rolled into temporary splits. The use of splits minimises core disturbance. The split and core are then placed onto a cradle which is then placed onto the roller table.

The cradle is moved along the roller table and all depths are accurately measured to within a millimetre. Lithology and joint description are determined by the geologist using a menu driven software. The information is input to a database which also carries the depth information and photographs of the core. An integrated core log is created from this data.

Following logging the core may be either kept in its 3m long splits or moved to conventional core boxes.



Core Logging Database Software

Lithology Log

Borehole:
MYDDHS031A

Lithology

F Gamma
r SSD

